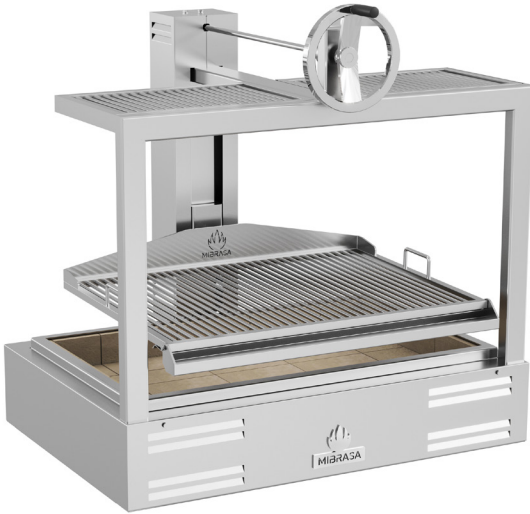




Project: \_\_\_\_\_ Item# \_\_\_\_\_

# Parrilla GMB 100



## FEATURES

Precision and strength is key to the PARRILLA by MIBRASA®. Effortlessly regulate the height of your grill surface thanks to the carefully engineered sprocket and chain system, keeping maintenance down to a minimum.

The system lets us sear, cook and rest our ingredients, to get the optimal result every time.

ERGONOMICALLY DESIGNED WITH MAXIMUM QUALITY AND SECURITY

With a sloping grill, the grease runs down the weld-free grill bars to prevent grease build-up. Grease drips down to the collector with an easy to remove mechanism ready to clean.

The base is lined with refractory bricks to ensure maximum heat efficiency and resistance to pure fire. And the built-in cooling system in outer case guarantees a maximum level of security.

Built using quality steels providing strength and durability; ergonomically designed for practicality and ease of use, each feature plays a crucial part in delivering the ultimate grilling machine for every chef.

## TECHNICAL INFORMATION

Fire up time <sup>1</sup>	30 min-average	
Cooking temperature	482 °F	250 °C
Total cooking surface area	25" x 35" = 6.08 ft <sup>2</sup>	890 x 635 mm = 0.57 m <sup>2</sup>
Grill height range (in/mm)	13.78"	350 mm
Initial charcoal load <sup>1</sup>	22 lb	10 kg
Charcoal load duration <sup>2</sup>	7 h	
Equivalent power*	6 hp	4.5 kW
Exhaust rate	300 gal/s	4100 m <sup>3</sup> /h
Installation height*	27.56"	700 mm
Net weight <sup>3</sup>	584.2 lb	265 kg
Crated weight* <sup>3</sup>	826.7 lb	375 kg
Crated size (WxDxH)	44" x 52" x 55"	1120 x 1310 x 1380 mm

\*Approximate data

1. Consult instruction manual
2. Will vary depending on quality of charcoal
3. Weight with accessories included

## INCLUDED ACCESSORIES

- Rod grill [CPV100]
- Ash shovel [PALA]
- Ember poker [PK]
- Mibrasa tongs [TG]
- Grill brush [CEP]

## OPTIONAL ACCESSORIES

- V-shape grill [GV100]
- Extra rod grill [CPV100]
- Burning pit lid [TAPA85]
- Thermal protector [EPGMB100]
- Espeto skewer kit [KITESPGMB100]
- GN support kit [SGN100]

Specifications and design are subject to change without notice.

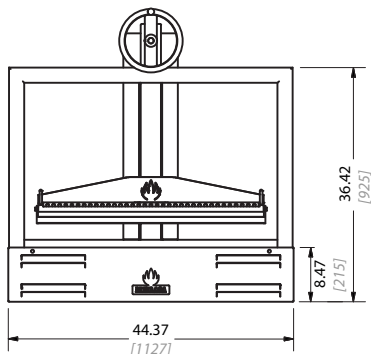
## QUALITY GUARANTEE



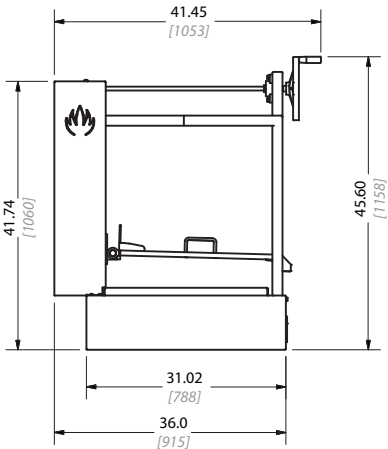


# Parrilla GMB 100

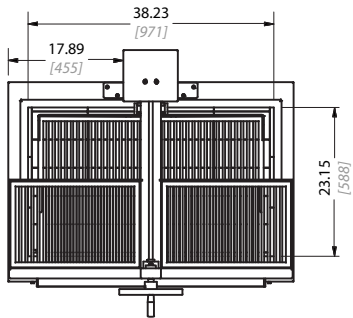
FRONT VIEW



SIDE VIEW

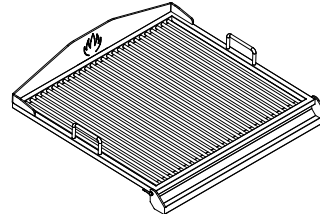


TOP VIEW

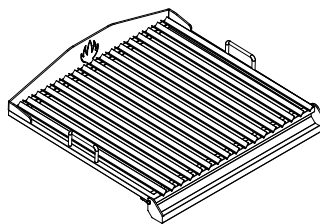


## GRILL TYPES

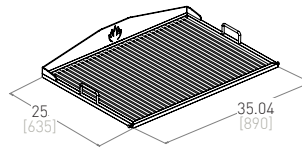
Rod bar grill



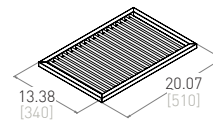
V-shape grill



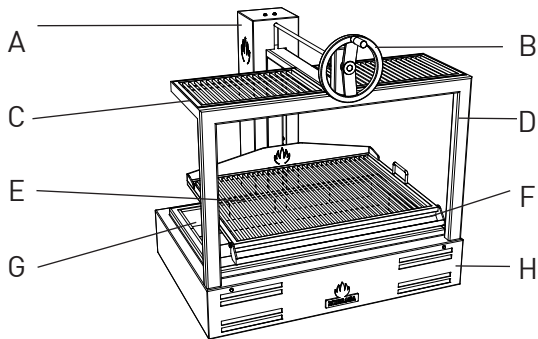
## GRILL DIMENSIONS



## HEATING RACK DIMENSIONS



Dimensions in inches and [mm]



A	Reverse elevating system
B	Elevating wheel
C	Heating rack
D	Structure
E	Grill
F	Grease collector
G	Refractory bricks
H	Main body

Revit drawings available on request at [usa@mibrasa.com](mailto:usa@mibrasa.com)

### Safety standards and installation guidelines

- Combustible floor protection dimensions:
  - a. 30 in [762 mm] to each side of the Parrilla
  - b. 36 in [914 mm] in front of the Parrilla
- Clearances to combustibles construction/other appliances:
  - a. Unit to backwall = 7 in [180 mm]
  - b. Unit to sidewalls = 28 in [720 mm]
- The workspace for the chef should be 27.56 in [700 mm] from the front of the Parrilla.
- A lifting device should be used whenever possible to lift the Parrilla and place on the countertop/stand.

For further information, please consult the instruction manual.

Specifications and design are subject to change without notice.



# Parrilla GMB 100

## OPTIONAL COMPLETE STAND



## TECHNICAL INFORMATION

Ref.	GMB100 + MCGMB100	
Net weight <sup>3</sup>	769.4 lb	349 kg
Crated weight* <sup>3</sup>	1012 lb	459 kg
Crated size (WxDxH)	44" x 52" x 85"	1120 x 1310 x 2150 mm

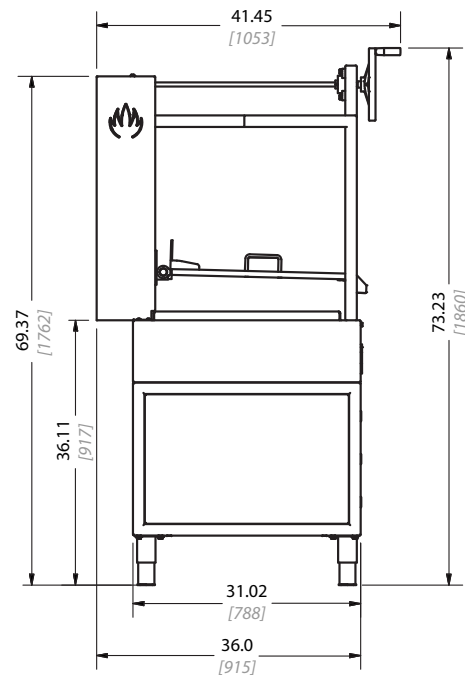
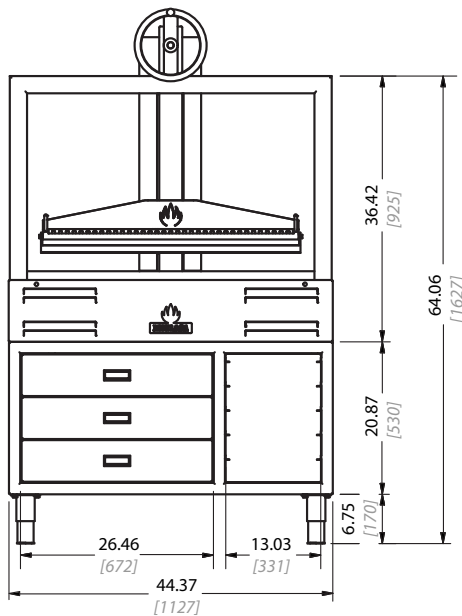
Ref.	MCGMB100	
Net weight <sup>3</sup>	185.2 lb	84 kg
Crated weight* <sup>3</sup>	218.3 lb	99 kg
Crated size (WxDxH)	44" x 52" x 28"	1120 x 1310 x 700 mm
No. drawers	3	
No. GN rack slots	5	

## OPTIONAL ACCESSORIES

- S/S Casters [WINOXG]

FRONT VIEW

SIDE VIEW



Dimensions in inches and [mm]

**MIBRASA® USA Corp.**  
 8950 SW 74th Ct., Suite 1406  
 Miami, Florida 33156 - U.S.A  
 Ph: [408] 348 7607 - usa@mibrasa.com  
[www.mibrasa.com](http://www.mibrasa.com)



# Parrilla GMB 100

## OPTIONAL STANDARD STAND



## TECHNICAL INFORMATION

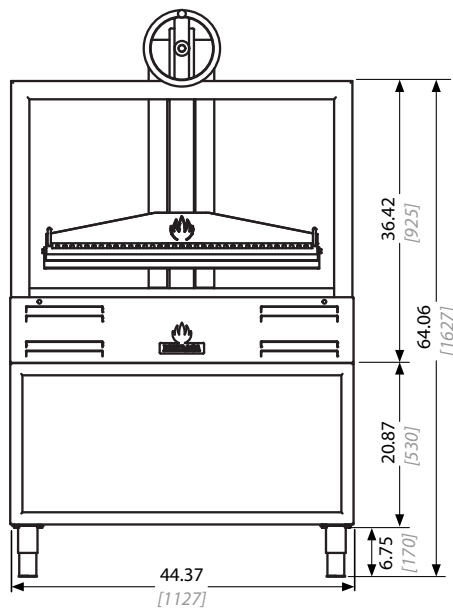
Ref.	GMB100 + MGMB100	
Net weight <sup>3</sup>	661.39 lb	300 kg
Crated weight* <sup>3</sup>	903.8 lb	410 kg
Crated size (WxDxH)	44" x 52" x 85"	1120 x 1310 x 2150 mm

Ref.	MGMB100	
Net weight <sup>3</sup>	77.16 lb	35 kg
Crated weight* <sup>3</sup>	110.23 lb	50 kg
Crated size (WxDxH)	44" x 52" x 28"	1120 x 1310 x 700 mm

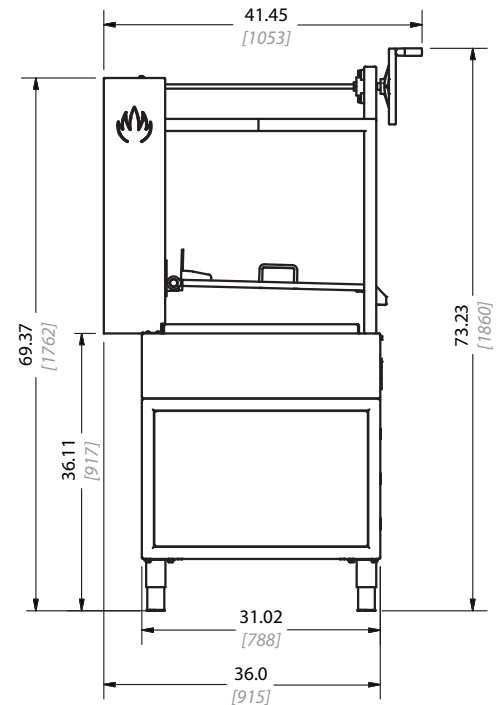
## OPTIONAL ACCESSORIES

- S/S Casters [WINOXG]
- GN Tray rack [SGN]

FRONT VIEW



SIDE VIEW



Dimensions in inches and [mm]