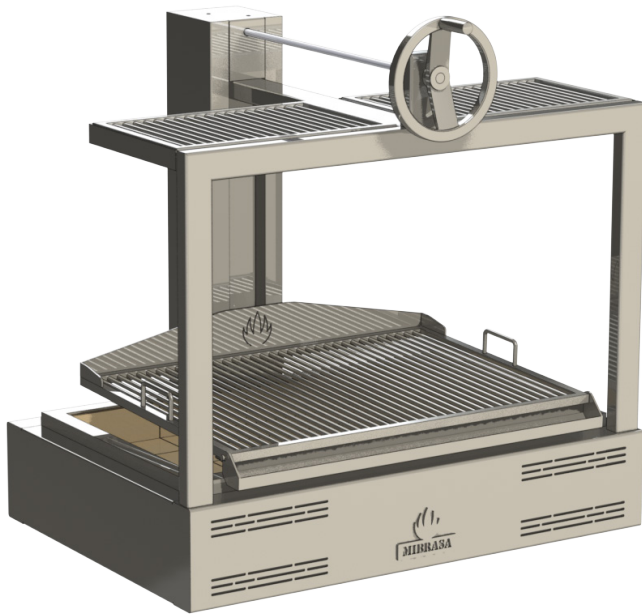




Parrilla GMB 100



FEATURES

Precision and strength defines the new PARRILLA by MIBRASA®.

Thanks to the carefully engineered design with elevation system and positional brake, the Mibrasa® Parrilla effortlessly regulates the height of the grill from the heat of embers with maximum safety and minimum maintenance.

The Mibrasa® Parrilla lets us sear, cook and rest our ingredients, achieving the optimal result every time.

ERGONOMIC DESIGN. MAXIMUM QUALITY AND SECURITY

With a sloping grill, the grease runs down the weld-free grill bars to prevent grease build-up. Grease drips down to the collector with an easy to remove mechanism ready to clean.

The base is lined with refractory bricks to ensure maximum heat efficiency and resistance to pure fire. And the built-in cooling system in outer case guarantees a maximum level of security.

Built using quality steels providing strength and durability; ergonomically designed for practicality and ease of use, each feature plays a crucial part in delivering the ultimate grilling machine for every chef.

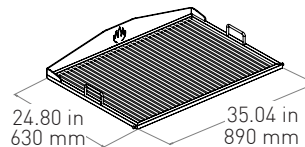
TECHNICAL INFORMATION

Fire up time ¹	30 min-average
Cooking temperature	482 °F
	250 °C
Initial charcoal load ¹	33 lb
	15 kg
Charcoal load duration ²	7 h
Equivalent power*	6 hp
	4.5 kW
Exhaust rate	205 gal/s
	2800 m ³ /h
Installation height*	27.56 in
	700 mm
Net weight ³	584 lb
	265 kg

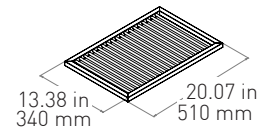
*Approximate data

1. Consult instruction manual
2. Will vary depending on quality of charcoal
3. Weight with accessories included

GRILL DIMENSIONS



HEATING RACK DIMENSIONS



INCLUDED ACCESSORIES

- Round bar grill
- 2 heating rack grills
- Ash shovel
- Ember poker
- Mibrasa tongs
- Grill brush
- Mibrasa Ecofire fire-lights

OPTIONAL ACCESSORIES

- V-shape grill
- Extra round bar grill
- Parrilla stand

Specifications and design are subject to change without notice.

QUALITY GUARANTEE



MH63445

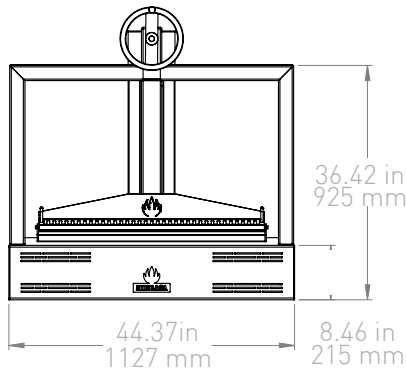
Charcoal Fired grill



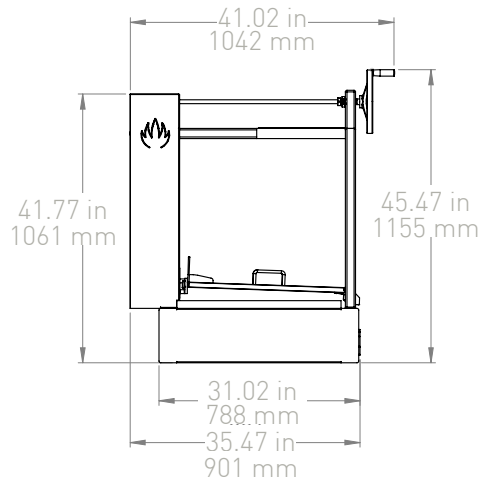


Parrilla GMB 100

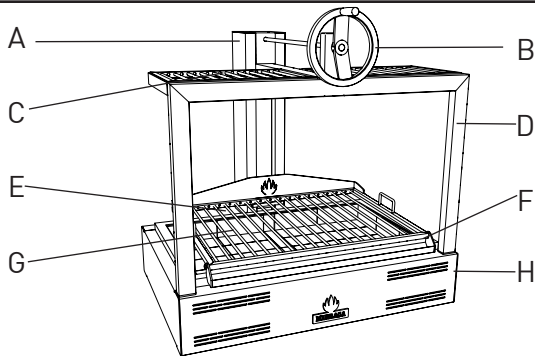
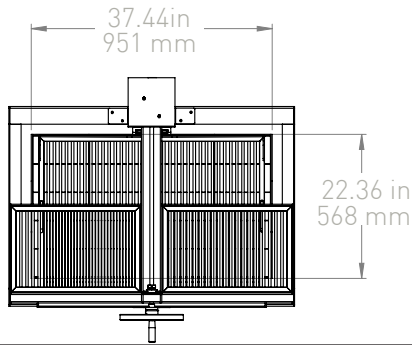
FRONT VIEW



SIDE VIEW



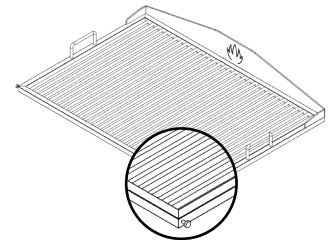
TOP VIEW



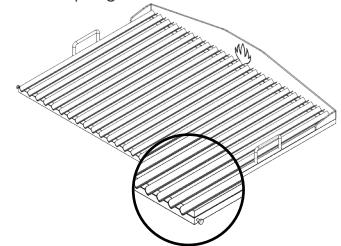
A	Reverse elevating system
B	Elevating wheel
C	Heating rack
D	Structure
E	Grill
F	Grease collector
G	Refractory bricks
H	Main body

GRILL TYPES

Round bar grill



V-shape grill



SHIPMENT

- Crated weight:
827 lb [375 kg]
- Crated size (WxDxH):
43x51x47 in
[1100x2200x1200 mm]

Revit drawings available on request at
usa@mibrasa.com

Safety standards and installation guidelines

- Combustible floor protection dimensions:
 - a. 30 in [762 mm] to each side of the Parrilla
 - b. 36 in [914 mm] in front of the Parrilla
- Clearances to combustibile construction/other appliances:
 - a. Unit to backwall = 7 in [460 mm]
 - b. Unit to sidewalls = 28 in [720 mm]
- The workspace for the chef should be 27.56 in [700 mm] from the front of the Parrilla.
- A lifting device should be used whenever possible to lift the Parrilla and place on the countertop/stand.

For further information, please consult the instruction manual.

Specifications and design are subject to change without notice.