



# ELIPSE MIBRASA®

Charcoal rotisserie



## FEATURES

Introducing the new Mibrasa® Elipse, the most productive and robust charcoal rotisserie for the hospitality and catering sector. The Mibrasa® Elipse offers uniform cooking, yielding higher and faster productions.

The Mibrasa® Elipse highlights two unique engineering features to improve rotary cooking results: orbital rotation and individual spit rotation in opposite directions.

### LARGE SURFACE AREA FOR UNIFORM COOKING

Thanks to the orbital movement of the spits, the total cooking area is maximized, which in turn, allows the product to stay in contact with the burning area for a longer period of time. This guarantees a constant internal temperature of the product for the perfect result.

### HIGH PRODUCTION MAINTAINING PRODUCT QUALITY

Choose between different speed and control settings to adjust to the ingredients being cooked. Between the spits, each rotates in opposite directions to avoid large pieces coming into contact and breaking.

## TECHNICAL INFORMATION

Reference	RST70
Rotisserie surface area	1100 mm x 10 spits
Maximum capacity	60 - 70 chickens
Fire up time*	45 min
Initial charcoal load*	10 - 12 kg
Electrical power	0.5 kW / 0.67 hp
Cooking temperature	200°C - 280°C
Maximum weight per spit	10-12 kg
N° speeds	3
Exhaust rate	5000 m³/h
Exhaust hood dimensions (recommended) Width x Depth x Height	2200 x 1500 x 2000 mm
Electrical connection	EU: 230V/50Hz
Net weight	875 Kg
Crated weight	1075 Kg
Crated dimensions	2100 x 1100 x 2150 mm

\*Approximate data

## INCLUDED ACCESSORIES

- Spit rod [10]
- 4-prong fork [60]
- 2-prong fork [20]
- Gastronorm GN 1/1 [2]
- Gastronorm GN 2/4 [3]
- Spit rod remover [2]
- Mibrasa tongs
- Ember poker

## OPTIONAL ACCESSORIES

- Extra spit rod
- Extra 2 or 4-prong fork
- Spit basket
- Mibrasa kitchenware (consult catalog)

QUALITY GUARANTEE



Rev. 9/23

Mibrasa® Charcoal Ovens S.L

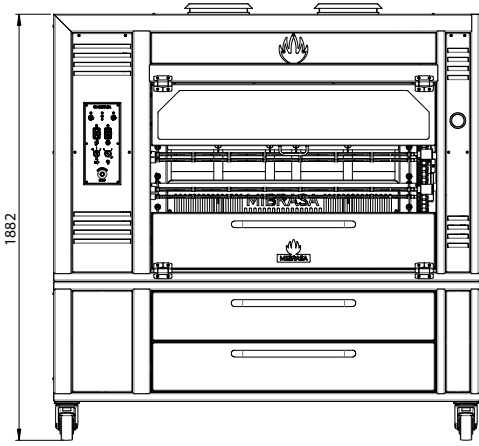
C/Joan Rovira i Bastons, 26

17230 Palamós - Spain

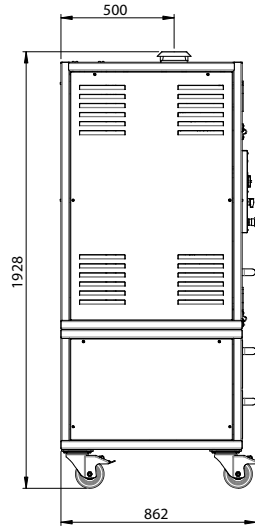
+34 972 601 942 - mibrasa@mibrasa.com

www.mibrasa.com

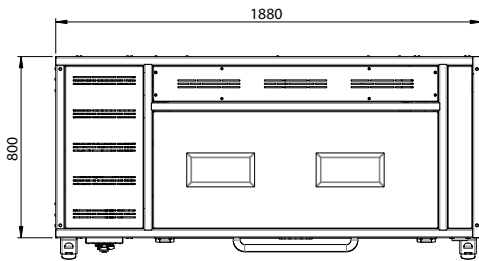
Front view



Side view



Top view



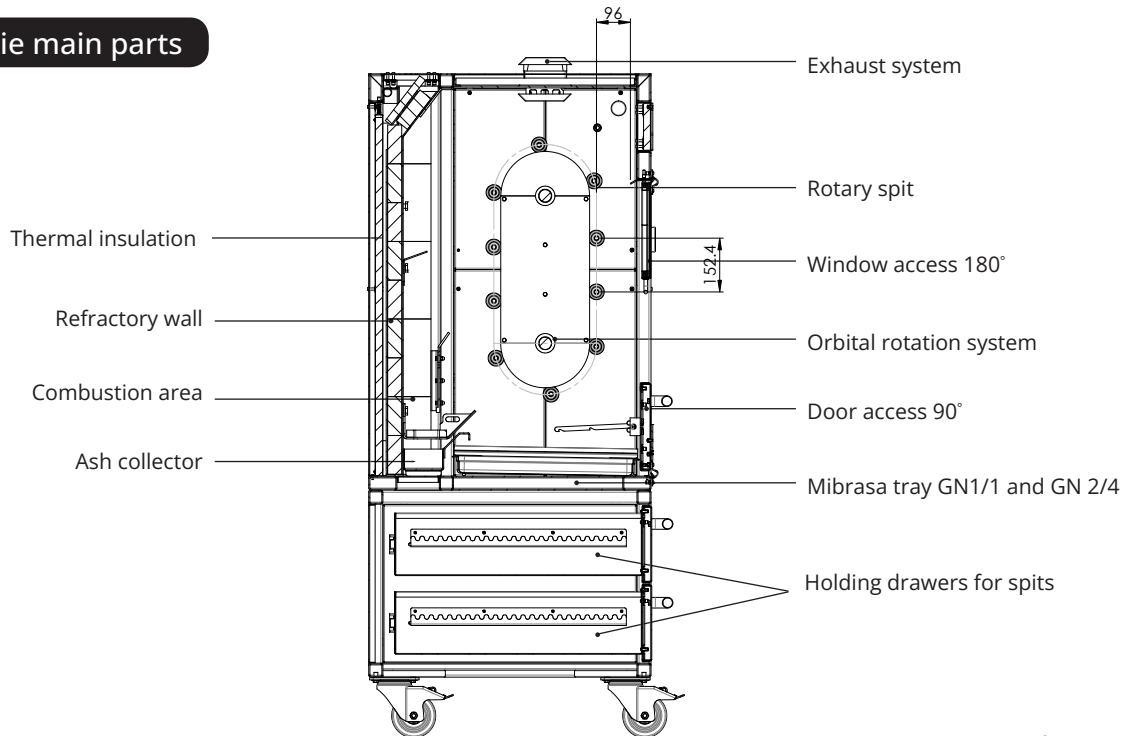
**INSTALLATION GUIDELINES  
AND SAFETY STANDARDS**

Clearances to construction/other appliances from the Elipse	100 mm
Clearances of flammable materials from the Elipse	300 mm
Clearance of workspace from front of the Elipse	700 mm

Dimensions in mm

Revit designs available on request at [mibrasa@mibrasa.com](mailto:mibrasa@mibrasa.com)

**Rotisserie main parts**



Specifications and design are subject to change without notice.

Mibrasa® Charcoal Ovens S.L  
C/Joan Rovira i Bastons, 26  
17230 Palamós - Spain  
+34 972 601 942 - [mibrasa@mibrasa.com](mailto:mibrasa@mibrasa.com)  
[www.mibrasa.com](http://www.mibrasa.com)