



DUO DOUBLE + COMPACT-M

Parrilla Double + Mibrasa Oven



FEATURES

The Mibrasa DUO is an integral solution for restaurants that want to maximize their cooking production with the best possible execution and result.

In one sole unit, the DUO is made up of two Mibrasa grilling machines: Charcoal oven and Parrilla; a synergy that guarantees chefs absolute control through an agile workspace that in turn speeds up cooking processes.

Each Mibrasa grilling machine features unique characteristics that enable different cooking processes. This combination allows us to work with all simultaneously and as a result maximizes the capacity for creation.

Ref. DUOGMB130_HMB110

INCLUDED ACCESSORIES

| TECHNICAL INFORMATION | Parrilla Double (GMB 130) | Oven Compact-M (HMB 110) |
|-------------------------------------|---------------------------|--------------------------|
| Fire up time* | 30 min-average | 45 min-average |
| Cooking temperature | 250 °C | 250 - 350 °C |
| Covers per service* | NA | 110 - 130 |
| Cooking surface area | 2x 500 x 630 mm | 755 x 595 mm |
| Grill height range | 350 mm | NA |
| Initial charcoal load ¹ | 12 kg | 15 kg |
| Charcoal load duration ² | 5 h | 8 h |
| Equivalent power* | 4,8 kW | 5 kW |
| Exhaust rate | 4300 m ³ /h | 3200 m ³ /h |
| Net weight | 919 kg | |
| Crated weight | 1100 kg | |
| Crated dimensions (WxDxH) | 2370 x 1060 x 2000 mm | |

*Approximate data 1. Consult instruction manual 2. Will vary depending on quality of charcoal

Oven Compact-M (HMB 110)

- Grill/s [GT110]
- Firebreak-dissipating filter [FB-DF]
- Mibrasa tongs [TG]
- Grill brush [CEP]
- Ash shovel [PALA]
- Poker [PK110]

Parrilla Double (GMB 130)

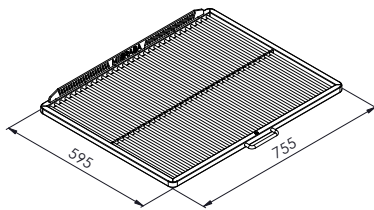
- Rod grill [CPV-130/160F]
- Ember [PK160]
- Mibrasa tongs [TG]
- Grill brush [CEP]
- Ash shovel [PALA]

RECOMMENDED ACCESSORIES

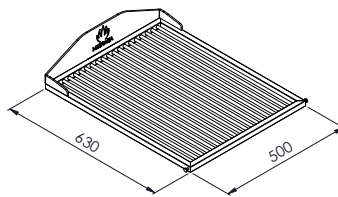
- Espeto kit [KITESPGMB130]
- Gastronorm kit [SGN130]
- Spiedo GMB 130 DUO [SPIEDO130-DUO]

SURFACE DIMENSIONS

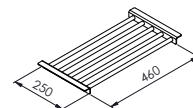
Oven grill (x2)



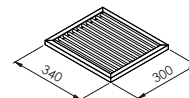
Parrilla grill (x2)



Parrilla heating rack (x2)



Parrilla vertical cooking rack

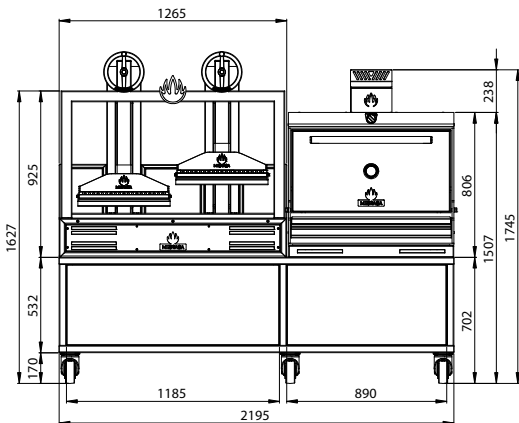


QUALITY GUARANTEE

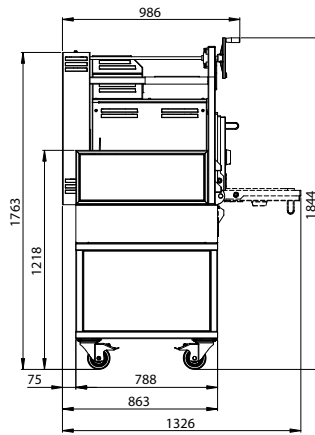


Mibrasa® Charcoal Ovens S.L.
 C/Joan Rovira i Bastons, 26
 17230 Palamós - Spain
 +34 972 601 942 - mibrasa@mibrasa.com
 www.mibrasa.com

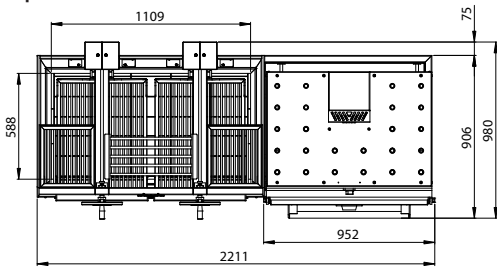
Front view



Side view



Top view



Dimensions in mm

Revit drawings available on request at mibrasa@mibrasa.com

CUSTOMIZATION

COLOR



BLACK



RED



BLUE



YELLOW



STAINLESS
STEEL

EDITION



GOLD



BLACK



COPPER



TITANIUM



SILVER

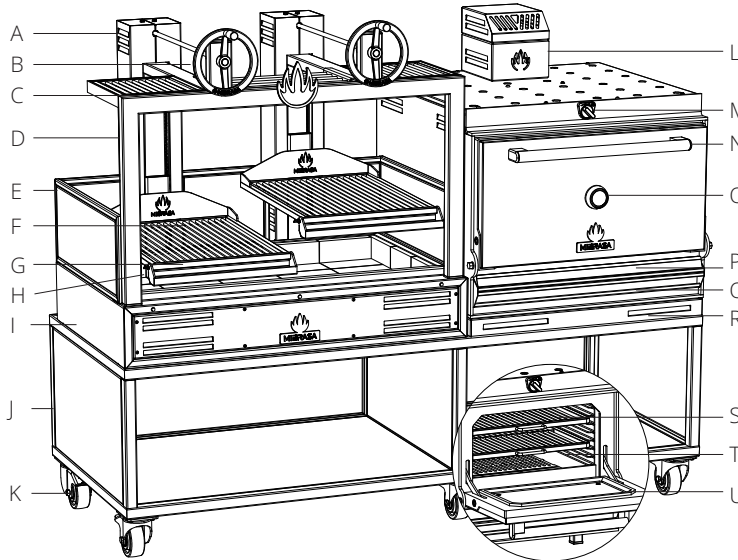


WOOD

The Edition finishes are applied to the logos, crank wheel, door handle and the thermometer casing.

*Only on the door handle (logos and thermometer casing in silver)

| MIBRASA PARRILLA | |
|------------------|----------------------|
| A | Elevating system |
| B | Elevating wheel |
| C | Heating rack |
| D | Structure |
| E | Protective structure |
| F | Grill |
| G | Grease collector |
| H | Refractory bricks |
| I | Main body |
| J | Stand |
| K | Swivel casters |



| MIBRASA OVEN | |
|--------------|------------------------------|
| L | Firebreak-dissipating filter |
| M | Upper damper |
| N | Door handle |
| O | Thermometer |
| P | Removable grease collector |
| Q | Lower damper/ash collector |
| R | Trim base worktop |
| S | Grills |
| T | Charcoal grids |
| U | Door |

SAFETY STANDARDS AND INSTALLATION GUIDELINES

| | |
|--|---------|
| Clearances to construction/other appliances from the DUO | 76 mm |
| Clearances of flammable materials from the DUO | 300 mm |
| Clearance of workspace from front of the DUO | 1100 mm |

Specifications and design are subject to change without notice.