



DUO SINGLE + COMPACT-M

Parrilla Single + Mibrasa Oven



FEATURES

The Mibrasa DUO is an integral solution for restaurants that want to maximize their cooking production with the best possible execution and result.

In one sole unit, the DUO is made up of two Mibrasa grilling machines: Charcoal oven and Parrilla; a synergy that guarantees chefs absolute control through an agile workspace that in turn speeds up cooking processes.

Each Mibrasa grilling machine features unique characteristics that enable different cooking processes. This combination allows us to work with all simultaneously and as a result maximizes the capacity for creation.

Ref. DUOGMB100_HMB110

INCLUDED ACCESSORIES

Oven Compact-M (HMB 110)

- Grill/s [GT110]
- Firebreak-dissipating filter [FB-DF]
- Mibrasa tongs [TG]
- Grill brush [CEP]
- Ash shovel [PALA]
- Poker [PK110]

Parrilla Single (GMB 100)

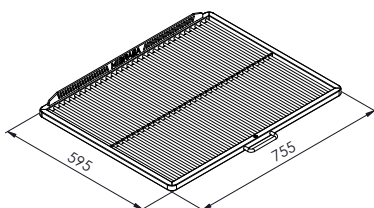
- Rod grill [CPV-100_200]
- Ember [PK]
- Mibrasa tongs [TG]
- Grill brush [CEP]
- Ash shovel [PALA]

| TECHNICAL INFORMATION | Parrilla Single (GMB 100) | Oven Compact-M (HMB 110) |
|-------------------------------------|---------------------------|--------------------------|
| Fire up time* | 30 min-average | 45 min-average |
| Cooking temperature | 250 °C | 250 - 350 °C |
| Covers per service* | NA | 110 - 130 |
| Cooking surface area | 890 x 630 mm | 755 x 595 mm |
| Grill height range | 350 mm | NA |
| Initial charcoal load ¹ | 10 kg | 15 kg |
| Charcoal load duration ² | 5 h | 8 h |
| Equivalent power* | 4,5 kW | 5 kW |
| Exhaust rate | 4100 m3/h | 3200 m3/h |
| Net weight | 828 kg | |
| Crated weight | 1009 kg | |
| Crated dimensions (WxDxH) | 2230 x 1060 x 2000 mm | |

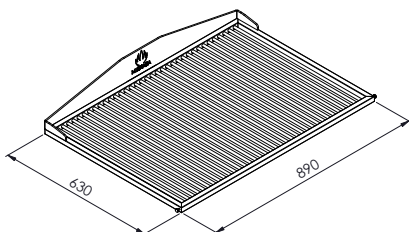
*Approximate data 1. Consult instruction manual 2. Will vary depending on quality of charcoal

SURFACE DIMENSIONS

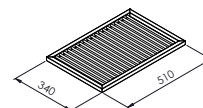
Oven grill (x2)



Parrilla grill



Parrilla heating rack (x2)



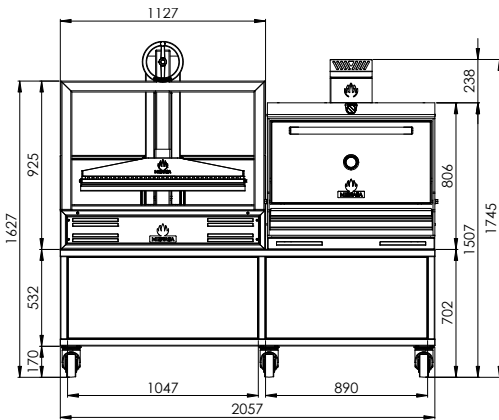
QUALITY GUARANTEE



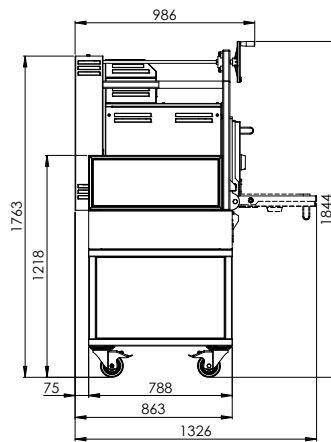
Rev. 9/23

Mibrasa® Charcoal Ovens S.L
 C/Joan Rovira i Bastons, 26
 17230 Palamós - Spain
 +34 972 601 942 - mibrasa@mibrasa.com
 www.mibrasa.com

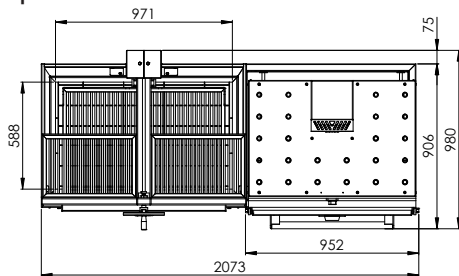
Front view



Side view



Top view



Dimensions in mm

Revit drawings available on request at mibrasa@mibrasa.com

CUSTOMIZATION

COLOR



BLACK



RED



BLUE



YELLOW



STAINLESS
STEEL

EDITION



GOLD



BLACK



COPPER



TITANIUM



SILVER

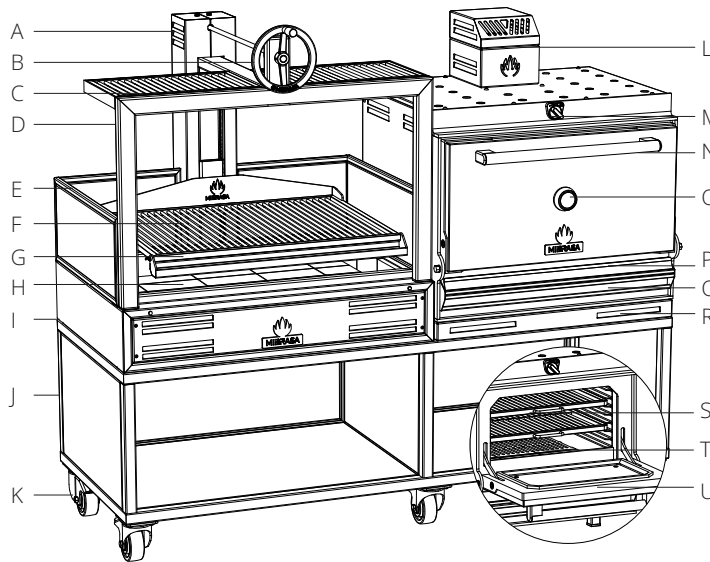


WOOD

The Edition finishes are applied to the logos, crank wheel, door handle and the thermometer casing.

*Only on the door handle (logos and thermometer casing in silver)

| PARRILLA MIBRASA | |
|------------------|----------------------|
| A | Elevating system |
| B | Elevating wheel |
| C | Heating rack |
| D | Structure |
| E | Protective structure |
| F | Grill |
| G | Grease collector |
| H | Refractory bricks |
| I | Main body |
| J | Stand |
| K | Swivel casters |



| OVEN MIBRASA | |
|--------------|------------------------------|
| L | Firebreak-dissipating filter |
| M | Regulador tiro superior |
| N | Upper damper |
| O | Thermometer |
| P | Removable grease collector |
| Q | Lower damper/ash collector |
| R | Trim base worktop |
| S | Grills |
| T | Charcoal grids |
| U | Door |

SAFETY STANDARDS AND INSTALLATION GUIDELINES

| | |
|--|---------|
| Clearances to construction/other appliances from the DUO | 76 mm |
| Clearances of flammable materials from the DUO | 300 mm |
| Clearance of workspace from front of the DUO | 1100 mm |

Specifications and design are subject to change without notice.