



VERTICAL-L

Mibrasa oven with lower heated cabinet



TECHNICAL INFORMATION

| | |
|-------------------------------------|-----------------------|
| Reference | HMB AB 160 |
| Fire up time ¹ | 45 min |
| Cooking temperature | 250 - 350 °C |
| Initial charcoal load ¹ | 18 kg |
| Production* | 120 kg/h |
| Charcoal load duration ² | 8 h |
| Equivalent power* | 6 kW |
| Exhaust rate | 3500 m3/h |
| Net weight ³ | 557 kg |
| Crated weight | 646 kg |
| Crate dimensions (WxDxH) | 1100 x 1100 x 1900 mm |

*Approximate data

1. Consult instruction manual

2. Will vary depending on quality of charcoal

3. Weight with accessories included

FEATURES

OUR CHARCOAL OVENS

The Mibrasa® oven is a closed grill designed and engineered in our workshops. Made from the best quality steel by expert hands, our grills are designed to satisfy even the most demanding chefs.

The technical specifications allow the user to accurately control the air flow through the grill, changing the intensity of the embers. This is an extremely efficient way of cooking and cuts down the amount of charcoal needed.

Mibrasa® charcoal ovens allow you to cook all types of foods retaining the natural flavors and bringing out a unique taste.

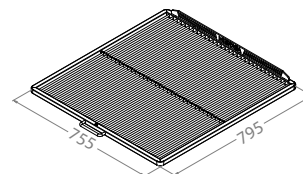
THE VERSATILITY OF MIBRASA® CHARCOAL OVENS

We have a wide range of high quality products and accessories allowing you to completely personalize your Mibrasa® charcoal oven, adapting it to your needs.

PAX PER SERVICE*



GRILL DIMENSION



INCLUDED ACCESSORIES

- Grill [GT160]
- Mibrasa tongs [TG]
- Ash shovel [PALA]
- Poker [PK160]
- Grill brush [CEP]

RECOMMENDED ACCESSORIES

- Firebreak-dissipating filter [FB-DF]
- Extra grill [G160]
- Removable grease collector [REG3/4]
- Gastornorm rack [SGNAB]
- Consult catalogue for kitchenware and grillware

QUALITY GUARANTEE



Rev. 9/23

Mibrasa® Charcoal Ovens S.L

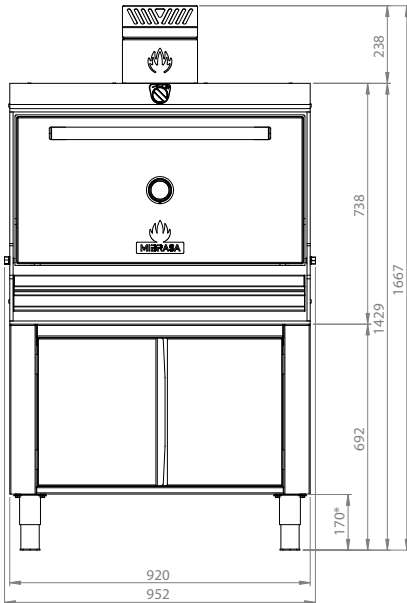
C/Joan Rovira i Bastons, 26

17230 Palamós - Spain

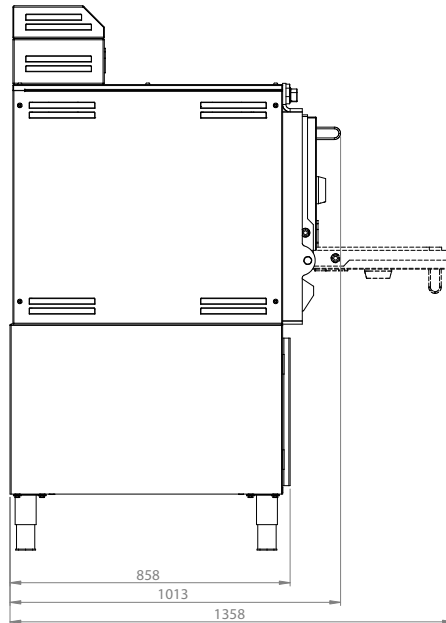
+34 972 601 942 - mibrasa@mibrasa.com

www.mibrasa.com

Front view

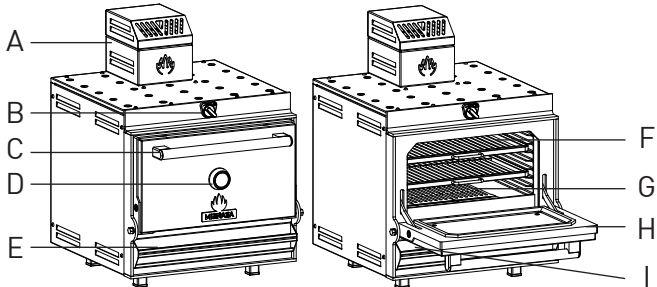


Side view



Dimensions in mm
 Revit drawings available on request at mibrasa@mibrasa.com

* Adjustable leg height: 135-195 mm



| | |
|---|------------------------------|
| A | Firebreak-dissipating filter |
| B | Upper damper |
| C | Door handle |
| D | Thermometer |
| E | Lower damper/ash collector |
| F | Grills |
| G | Charcoal grids |
| H | Door |
| I | Grease collector |

CUSTOMIZE

DOOR COLOR



EDITION



TITANIUM SILVER WOOD*

The Edition finishes are applied to the logos, door handle and the thermometer casing.

*Only on the door handle (logos and thermometer casing in silver)

INSTALLATION GUIDELINES AND SAFETY STANDARDS

| | |
|---|---------|
| Recommended installation height | - |
| Clearances to construction/other appliances from oven | 76 mm |
| Clearances of flammable materials from oven | 300 mm |
| Clearance of workspace from front of the oven | 1100 mm |



It is recommended to use a lifting device to lift the oven and place on the countertop/cabinet. Consult oven instruction manual for further information.

Specifications and design are subject to change without notice.